



THE NATURAL BREATH

OF CLEAN AIR



CORPORATE BROCHURE

CONTENT

THE NATURAL BREATH OF CLEAN AIR

ABOUT TYPHOON NV 4 - 5

INDUSTRIES

WOOD PROCESSING	6 - 7
PARTICLEBOARD	8 - 9
FOOD	10 - 11
PLASTICS	12 - 13
MINERALS	14 - 15
RECYCLING	16 - 17
TEXTILES	18
FEEDS	19
PAPER AND CARDBOARD	20
ENERGY	21
METAL	22
LIGHT CHEMISTRY	23

TURN KEY PROJECTS

DUST EXTRACTION	24 - 25
PNEUMATIC CONVEYING	26 - 27

SERVICES

ENGINEERING OF FANS	28 - 29
---------------------	---------

COMPONENTS

DUST FILTERS	30 - 31
CYCLONES	30 - 31
FANS	30 - 31
SILOS	30 - 31
ROTARY VALVES	32 - 33
ROTARY KNIVES VALVES	32 - 33
DIVERTERS	32 - 33
GATES	32 - 33
SEPARATORS	32 - 33
WEAR-RESISTANT SOLUTIONS	32 - 33
BIG BAG STATION	34 - 35
BAG DISCHARGING UNITS	34 - 35
AIR INLET FILTERS	34 - 35
EXTRACTION HOODS	34 - 35

SERVICE AND MAINTENANCE

36 - 37





ABOUT TYPHOON

AIR TECHNOLOGY IS OUR SPECIALTY

For over half a century, we have provided our customers - both international corporations and industrial SMEs - with industrial dedusting and pneumatic conveying systems. All our tailor-made solutions within the processing industry aim to make a dust free production facility and keep dust out, both on the production floor and the environment. With our own engineering team, production workshop, assembly services and maintenance teams, we can provide our customers at home and abroad with innovative and energy-efficient long-term solutions that can help them to excel in these markets.

OUR MISSION: HELPING CLIENTS TO STAND OUT

With our impressive experience in dimensioning, engineering, planning, production and implementation of tailored pneumatic conveying solutions, we help our customers to stand out on an operational level.

We build sustainable partnerships for the preventive, predictive and curative maintenance of their industrial installations.

In everything we do, we keep a high priority on innovation: in terms of performance, energy efficiency, reliability of operations and safety, we set the bar always higher.

MORE THAN FIVE DECADES OF EXPERTISE

1959:

Typhoon was founded. Founder Lucien Van Groenweghe starts in our country with specializing in the air technology branch. Typhoon soon becomes a partner of several major industrial players, resulting in rapid growth.

1998:

Due to succession problems, Typhoon has been taken over by a family owned private equity group. There was a merger with Artmetal, another specialist in air technology, that was previously

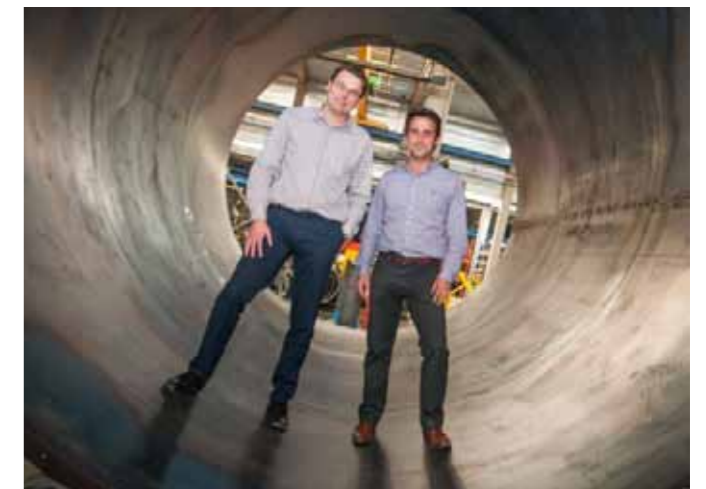
included in the group. As a result, Typhoon was able to service its experience to smaller enterprises.

2009:

Frederic Bulcaen strengthens the Typhoon management. Together with Kris Devidt (commercial director) and with the help of investors, an MBO is organised.

2018:

Today the management is 100% owner of this ambitious and professionally managed company. Typhoon invests continuously to guarantee the quality and efficiency of our services and products.



TYPHOON NV

+32 (0)56 69 46 50

info@typhoon.be

www.typhoon.be

Grote Heerweg 67
8791 Beveren-Leie
Belgium



INDUSTRIES: WOOD PROCESSING

Typhoon is specialized in highly reliable energy-efficient installations. The dust extraction systems, pneumatic conveyors and storage silos all have an important role to play in the efficiency of your production process and in creating a healthy working environment.

Our very low dust emission self-cleaning filters for joinery, furniture factories, kitchen manufacture, sawmills, planing mills, and laminate flooring manufacture are based on more than 60 years of experience in this sector.

Besides energy consumption and operational reliability, Typhoon is also highly committed to safety, maintenance, health and the environment.



**TOTAL DUST EXTRACTION
FOR KITCHEN
MANUFACTURING**



**DUST EXTRACTION AND
SEPARATE STORAGE FOR SAWMILLS**



**DUST EXTRACTION IN UNDERPRESSUR
FOR JOINERY**



**DUST EXTRACTION IN A
TECHNICAL SCHOOL**



INDUSTRIES: PARTICLEBOARD

Typhoon is specialized in highly reliable, energy-efficient installations. The dust extraction systems, separators and pneumatic conveyors all have a very important role to play in the entire production process of a chipboard plant. Typhoon offers a range of dust collectors, cyclo-filters for abrasive material, rotary airlocks, ventilators and cyclones specially designed according to the needs of an MDF, OSB or chipboard plant.

All product developments are based on more than 60 years of experience within this sector.

Besides energy consumption and operational reliability, Typhoon is also highly committed to safety, maintenance, health and the environment.



**PNEUMATIC CONVEYING OF
WOOD CHIPS WITH CYCLO-FILTER**



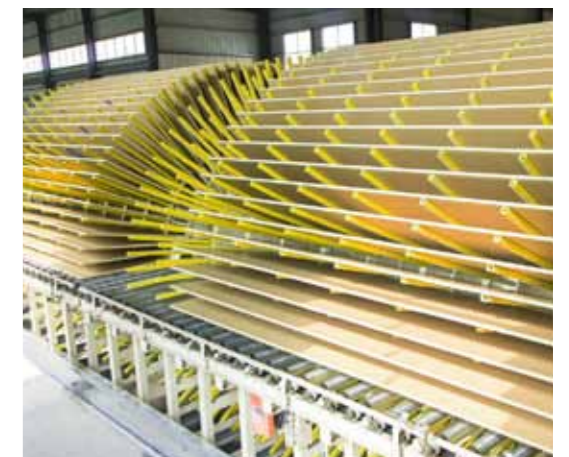
**ROTARY VALVE FOR
PNEUMATIC CONVEYING OF
ABRASIVE PRODUCTS**



**DUST EXTRACTION COLLECTORS FOR CLEANING
INSTALLATION IN THE WOOD RECYCLING INDUSTRY**



**SEPARATION INSTALLATION
OF A WOOD GRINDING MILL.**



INDUSTRIES: FOOD

Typhoon specialises in highly reliable and efficient installations for the food processing industry. In the production process, from storage to mixing, weighing or possibly grinding, both pneumatic conveying and vacuum systems are extremely suitable methods for connecting the different process steps.

Pneumatic conveyors are closed systems. With these transport systems, the amount of product remaining in the system is reduced to a minimum. This means there is less chance of contamination and bacteria formation. Design and sizing are essential for these projects.

Typhoon has many engineers who are specialized in this sector. In addition to operational reliability and efficiency.

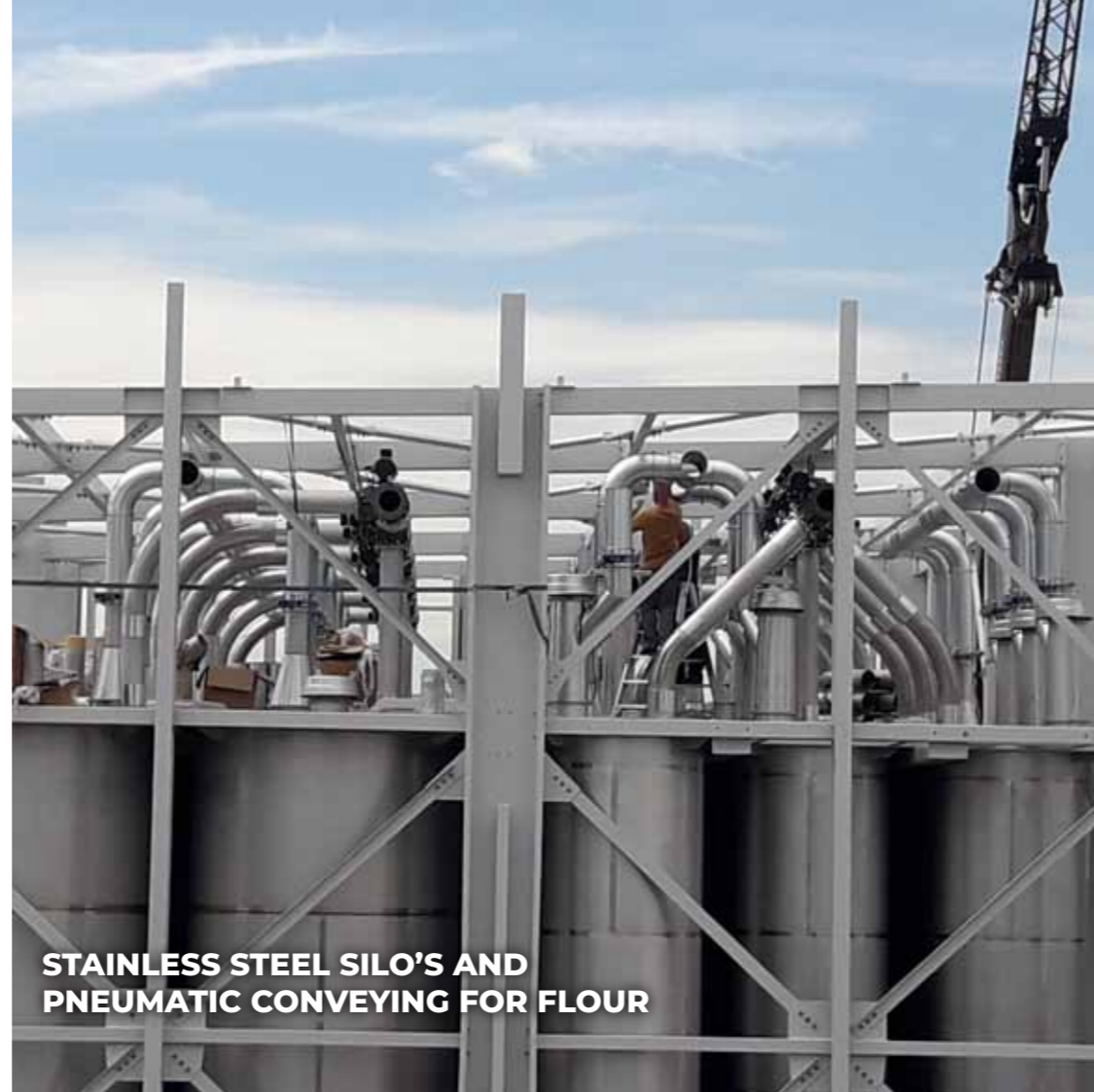
Typhoon is also highly committed to safety, service ability, health and the environment.



DUST COLLECTOR WITH COMPRESSED AIR CLEANING IN A DRYING INSTALLATION



PNEUMATIC CONVEYING IN ATEX CONFORM INSTALLATIONS



STAINLESS STEEL SILO'S AND PNEUMATIC CONVEYING FOR FLOUR



TOTAL PROJECT FOR STORAGE BUILDING FOR WHEAT FLOUR



INDUSTRIES: PLASTICS

Typhoon exemplifies highly reliable and efficient installations. In the production process, from storage to mixing, weighing or possibly grinding, both pneumatic conveying and vacuum systems are extremely suitable methods for connecting the whole process. In addition, the closed transport systems and automatic self-cleaning filters have very low emissions, ensuring a healthy working environment.

All production waste can also be collected through the extraction system and can then be pneumatically transported to storage or recycle units.

Fully automatic Typhoon filters can be used to provide very reliable dust extraction for various finishing machines such as sawing, sanding and milling machines.

In addition to operational reliability and efficiency, Typhoon is also highly committed to safety, serviceability, health and the environment.



DUST COLLECTOR SYSTEMS FOR THE RECYCLING OF SANDING DUST WITH STORAGE IN BIG BAGS



DUST EXTRACTION OF FINISHING LINE FOR LVT FLOOR COVERING



PNEUMATIC CONVEYING SYSTEM TOWARDS SILOS.



INDUSTRIES: MINERALS

Typhoon specialises in high-performance, low-energy installations. Dust extraction systems and pneumatic conveyors form an important part of the production process.

The fully automatic dust collectors and energy-efficient fans ensure excellent dust extraction from all kinds of finishing machines such as sawing, milling and sanding machines.

The filters also serve to collect all production residues. These recovered residues are brought back to the beginning of the production process through pneumatic conveyors so that they can be reused as raw materials.



DUST EXTRACTION WITH PNEUMATIC CONVEYING TOWARDS SILOS



DUST EXTRACTION OF A PRESS LINE FOR INSULATION PANELS



AIR CONVEYING SYSTEM TOWARDS BIG BAG STATION



FILTER AND CYCLONE FOR PNEUMATIC VACUUM TRANSPORT.





REMOVING FOILS FROM AIRSTREAMS WITH A FOIL SEPARATOR



UNLOADING HOPPER FOR SHIPS WITH A DUST COLLECTOR INSTALLATION

INDUSTRIES: RECYCLING

Typhoon exemplifies highly reliable, robust installations. The dust extraction systems, separator installations and pneumatic conveyors all have a major role to play in the entire production process, and in the recovery of valuable raw materials.

Fully automatic dust collectors, robust ventilators, rotary airlocks and wear-resistant pipework all ensure hassle free dust extraction for shredders, sieve and sift installations and sorting machines within wood, plastics, textile, rubber and metal recycling.

Over the years, Typhoon has developed a special range of robust, anti-wear products specifically for the recycling sector, such as ventilators with wear-resistant fans, bladed rotary airlocks and abrasion-resistant dust collectors.

For this, we can call on 60 years of experience in many similar industries.

The outstanding quality of Typhoon products forms an important building block in the optimum operation of the production process.



TRANSPORT OF FIBERS



INDUSTRIES: TEXTILES

The dust extraction installations and separation installations are very important in the complete production process, but they are also important for the recycling and the production of valuable products.

Fully automatic dust collectors, robust fans and rotary airlocks and wear-resistant pipework all ensure a hassle-free dust extraction for the necessary processing machines.

For the transport of textile fibres, extra attention is being paid to make the pipeline route as smooth as possible.

For this, we can rely on 60 years of experience in many similar industries.

The outstanding quality of Typhoon products is an important corner stone in the optimal operation of the production process.

TRANSPORT OF FIBERS



INDUSTRIES: FEEDS

Typhoon exemplifies highly reliable and efficient installations. In the production process, starting from storage to mixing, dosing, weighing and grinding, both pneumatic transport and vacuum suction are extremely suitable methods for connecting the whole process.

Pneumatic conveyors are closed systems. With these transport systems, there is much less chance of any product lagging behind compared to mechanical transport systems.

This means there is less chance of contamination and bacteria formation. Design and sizing are essential for these projects.

The engineers of Typhoon are specialized in this sector. In addition to operational reliability and efficiency, Typhoon is also highly committed to safety, serviceability, health and the environment.



**STAINLESS STEEL CYCLONES
FOR DRYING INSTALLATION**



DUST EXTRACTION OF BELT CONVEYORS

INDUSTRIES: PAPER AND CARDBOARD

The dust extraction systems, separator installations and tube transport all have a very important role to play in the entire production process of a paper mill, printing plant or a bookbindery.

Residual fractions such as ribbons, shreds, dust or cutting waste originating from production machines can be transported to a container or processing department by means of a pneumatic conveyor.

Typhoon offers an extensive range of dust collectors, paper separators, condensers, and cutting ventilators that provide an efficient and reliable solution. Design and sizing are essential for these projects.

Typhoon has many engineers who are experts within this sector.



DUST EXTRACTION SYSTEM FOR BOOKBINDERY



DUST EXTRACTION FOR A CLEANING INSTALLATION



DUST EXTRACTION WITH COVERING HOODS ON A SHREDDER AND BALING PRESS



PNEUMATIC CONVEYING FOR A BIOMASS POWER PLANT

INDUSTRIES: ENERGY

With our innovative pneumatic conveying systems, we facilitate the supply of biomass for storage and processing to your energy installation.

Our air purification systems divert the gases and fumes that are released when biomass is used as an alternative fuel.

The same applications can also be found in conventional energy production based on fossil fuels or residual waste.

Over the years, Typhoon has developed a special range of robust, anti-wear products specifically for the energy sector, such as wear-resistant fans, bladed rotary airlocks and abrasion-resistant dust collectors.

For this, we can rely on 60 years of experience in many similar industries.



INDUSTRIES: METAL

Typhoon exemplifies highly reliable, energy-efficient installations.

We'll help you to achieve an effective extraction of metal scraps, dust and fumes. Typhoon has many engineers who are specialized within the sector.

Released vapours will be taken out of the production environment with the help of air extraction and covering hoods.

Alongside energy consumption and operational reliability, Typhoon is also highly committed to safety, serviceability, health and the environment.



CONSTRUCTION OF A COMPLETE COOLING SYSTEM OF THE PRODUCTION LINE FOR METAL PROFILES



HYDRO-CYCLONES WITH EXTRACTION SYSTEM TO SEPARATE METAL DUST.



INDUSTRIES: LIGHT CHEMISTRY

Typhoon exemplifies highly reliable and efficient installations.

Dust extraction installations and pneumatic transports are an important part of the production process. The removal of vapours by air extraction and covering caps is not a problem.

The fully automatic dust collectors and energy-efficient fans ensure excellent dust extraction from all kinds of finishing machines such as sawing, milling and sanding machines.

The filters also serve to collect all production residues.

Storage is possible in containers, silos or by transport towards a briquetting press.



DUST EXTRACTION IN A PU FACTORY



TOTAL INSTALLATION FOR EXTRACTION AND SILO STORAGE FOR A PU INSULATION FACTORY

TURN KEY PROJECTS: DUST EXTRACTION

Our self-cleaning, low-maintenance and reliable dust extraction systems meet the most severe strictest emission standards. They deal with dust in your production environment and can also add extra value to your residual fractions.

You can also contact us for preventive, predictive and curative maintenance of your existing installation.

Based on the know-how we have built up since 1959 as the first company in Belgium active in this domain, we've grown to be a leading player in many industries.



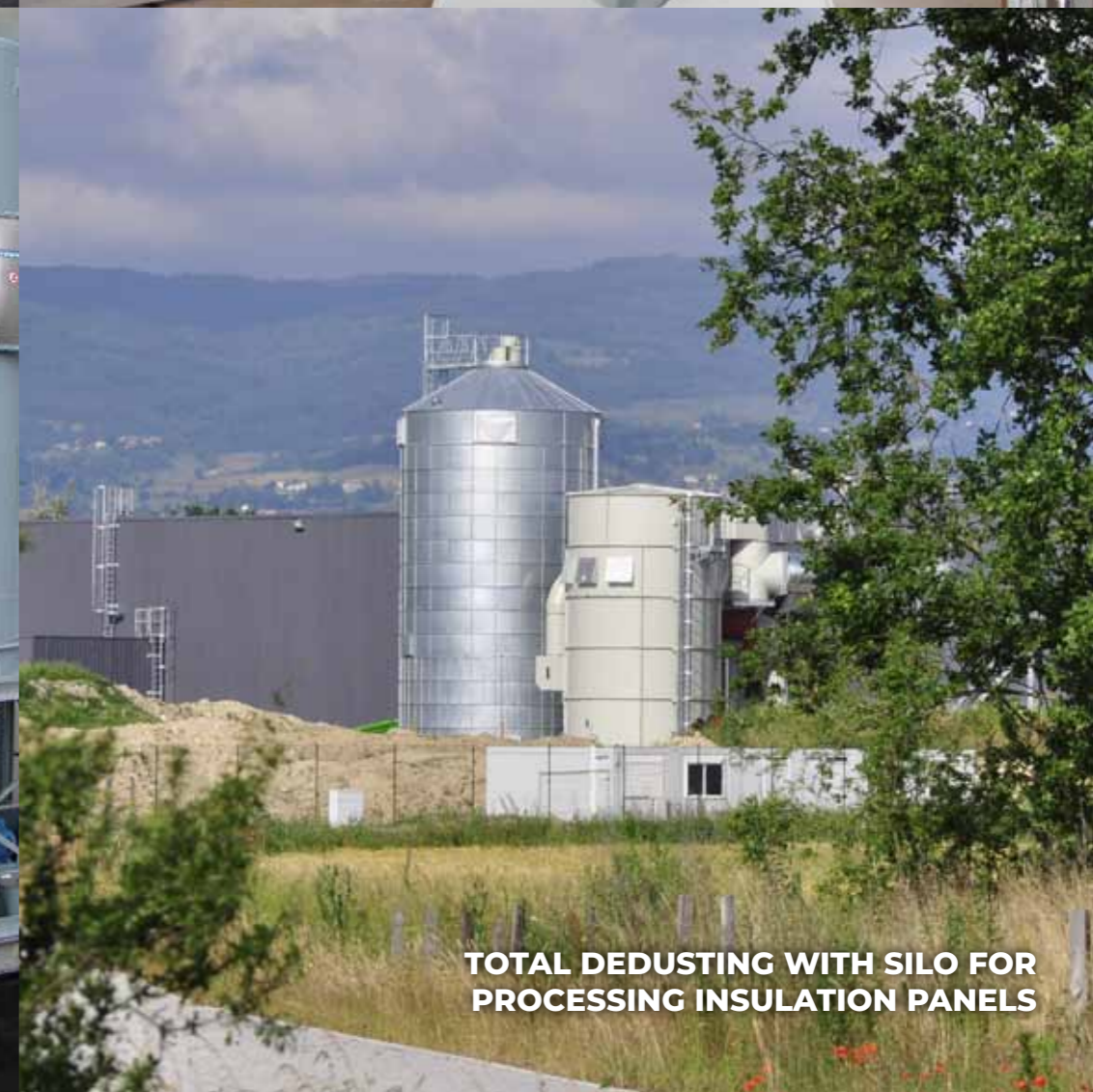
**TOTAL DEDUSTING FOR
PRODUCTION LINE IN A KITCHEN FACTORY**



**COMPRESSED AIR CLEANED FILTER
IN A DRYING INSTALLATION**



DEDUSTING OF BELT CONVEYORS



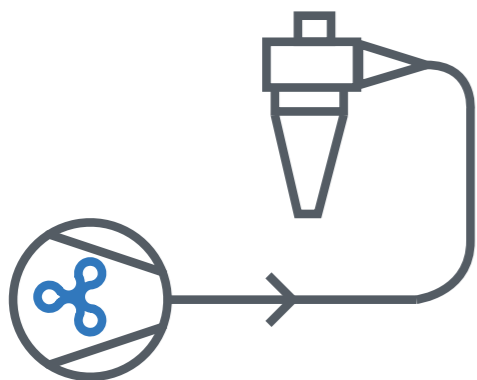
**TOTAL DEDUSTING WITH SILO FOR
PROCESSING INSULATION PANELS**

TURN KEY PROJECTS: PNEUMATIC CONVEYING

With transport installations based on air technology – both vacuum and pressure transport – powders, granulates, woodchips, dust and all kinds of residual fractions can be transported in an energy-efficient, hygienic and dust-free manner over a certain distance towards a silo, container or another collection system.

Typhoon has all the necessary expertise to develop, implement and maintain innovative systems.

Different fractions, capacities (from a few dozen kilos to 50 tons per hour) and distances (from a dozen to hundreds of meters): our process engineers have gained extensive proven experience over the years.



PNEUMATIC CONVEYING OF
ABRASIVE PRODUCTS

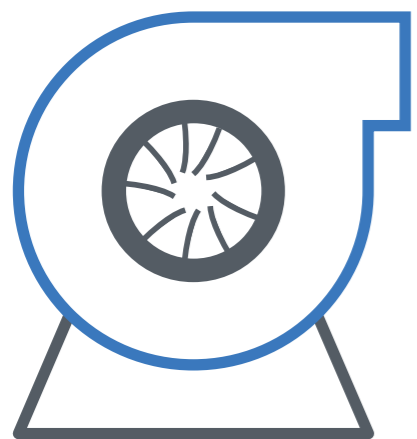
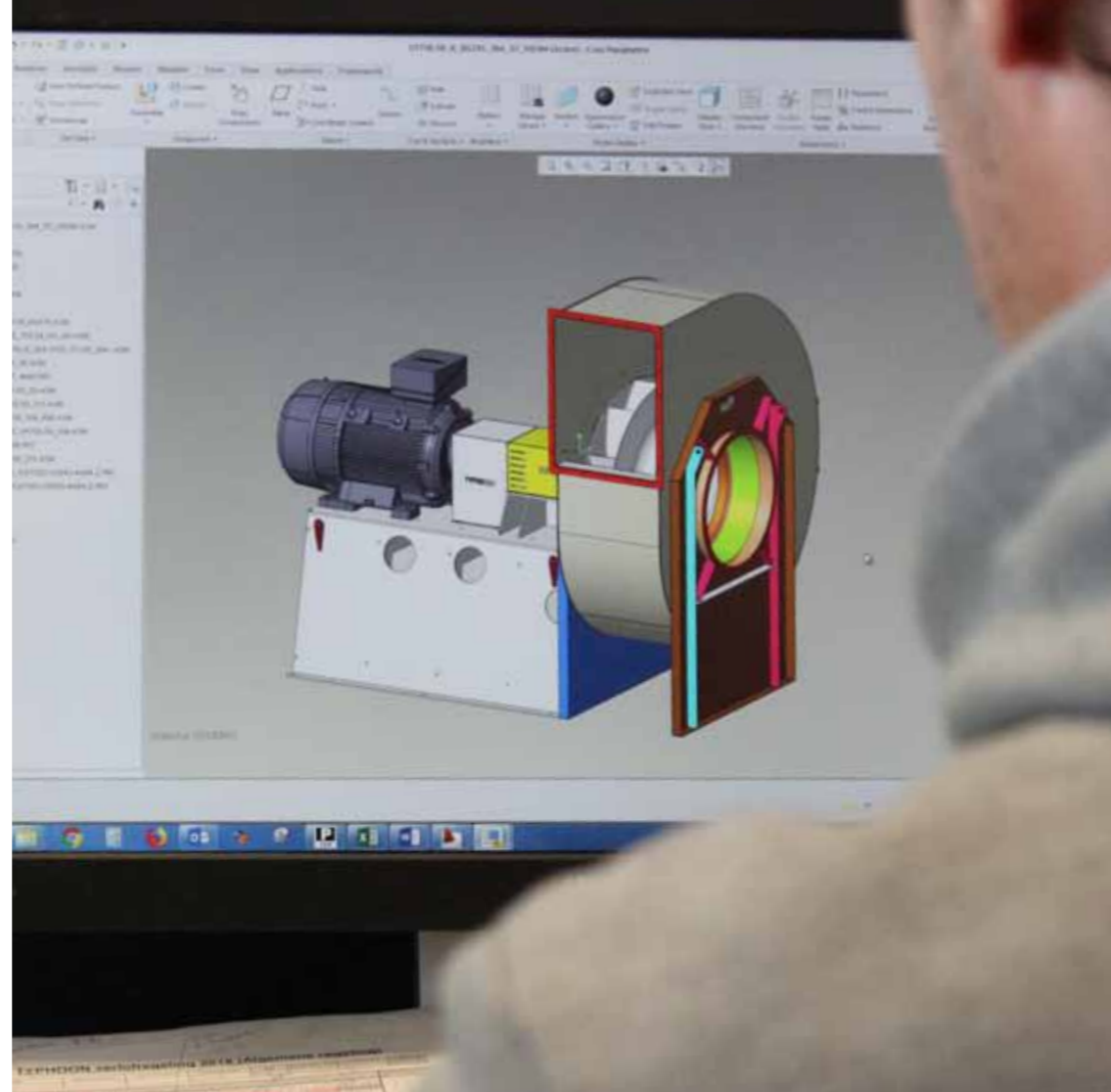
SERVICES: ENGINEERING OF FANS

Typhoon has an engineering department that has developed an extensive range of robust, ATEX-compliant and low-maintenance radial ventilators and blowers for our customers.

Our designs can be used for material transport, dust extraction, drying processes, flue gas and vapour extraction.

We choose the materials according to the specific application: pure air, aggressive air flows, hot air or flue gases up to 400 degrees.

You can contact us for ventilators with a flow rate of 500 m³/h to 300.000 m³/h, and a pressure rate of 500 to 18.000 Pascal with capacities of 1,5 to 600 kW.



COMPONENTS: DUST FILTERS

Typhoon has a complete range of different dust collectors for different industries and applications. The installations are robust and designed to guarantee reliability.

CYCLONES

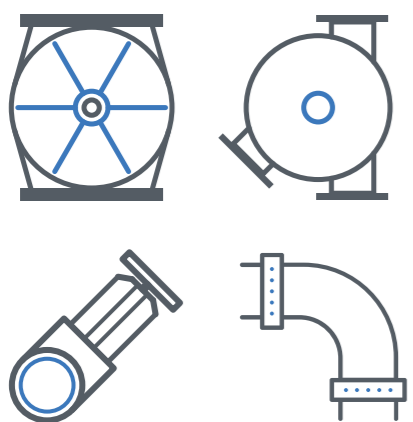
We feature different design examples for every sector or application. The cyclones can also be delivered in different wear resistant executions. For the process and food industry executions in stainless steel are possible.

FANS

Our range of ventilators is deliverable in several materials. You can freely choose the way of transmission. Typhoon has the knowledge and the possibilities to implement customization. Every fan is also available in an ATEX version.

SILOS

Several types of filters can be proposed for different applications. The filters can be made in stainless steel, but also in galvanised steel. Every application can be provided with the necessary extraction or unloading hoppers. Typhoon can make a difference because of our long-term experience in different sectors.



COMPONENTS: ROTARY VALVES

Typhoon is manufacturer, but also distributor of rotary valves. These meet several production volumes, pressures and applications. These are deliverable in different materials.

ROTARY KNIVES VALVES

Typhoon has its own range of rotary knives valves, that are compatible with fibrous products. These very robust valves can also be used for high pressure applications. Different warmth executions are possible.

DIVERTERS AND GATES

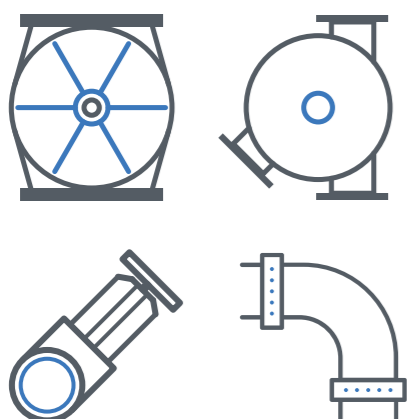
Typhoon has its own range of diverters and valves. These are available for high pressure applications. Due to our experience, we guarantee the correct recommendations, completely brand neutral and conform to your needs.

SEPARATORS

Dynamic separators are the perfect solution to separate foils and product streams out of air streams.

WEAR-RESISTANT SOLUTIONS

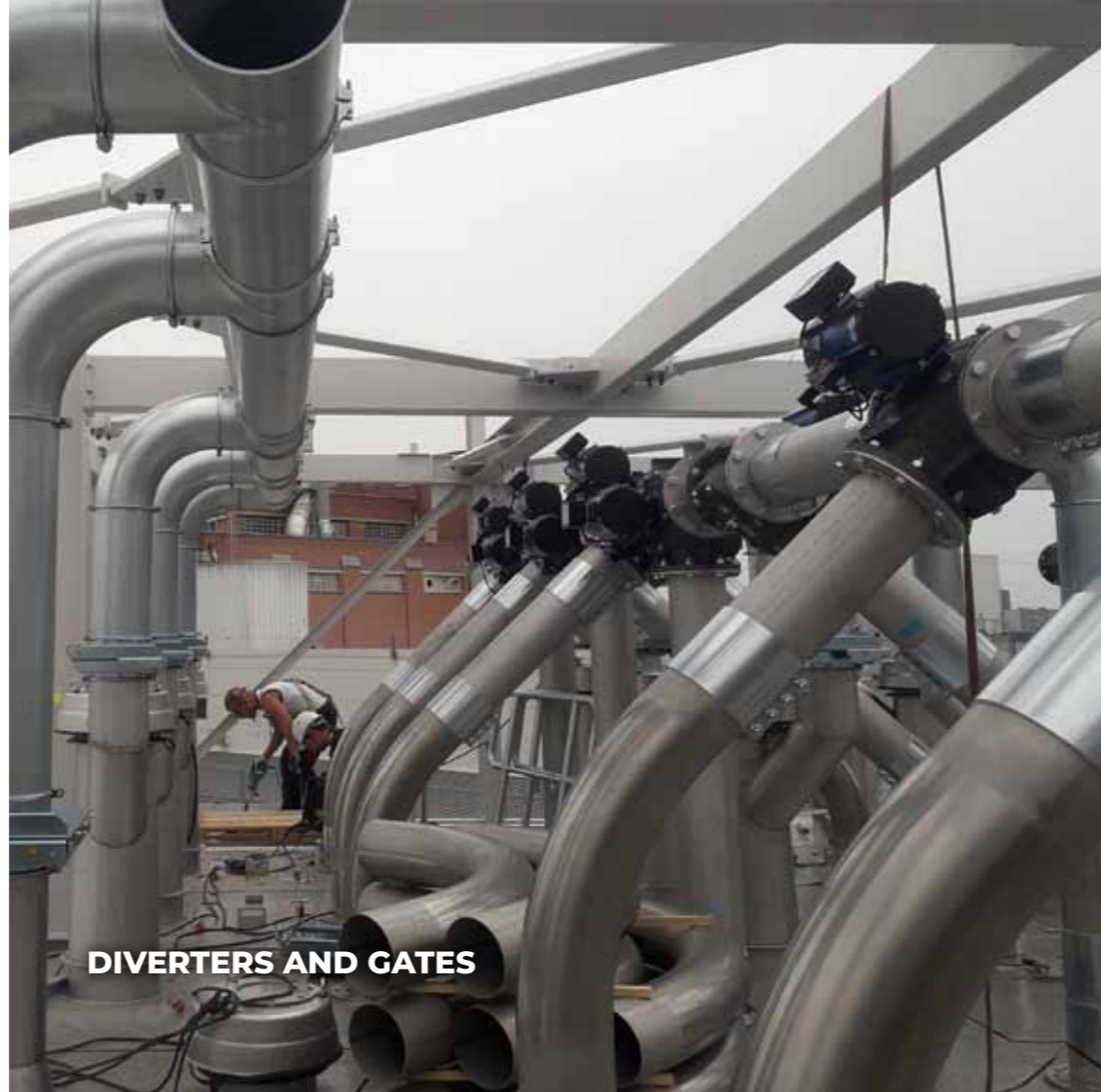
- Constructions in wear-resistant materials like Hardox/ Creusabro/ ...
- Ceramic-coated bends and pipes
- Ceramic-coated Cyclones/ filters/ hoppers...
- Rotary valves with tungsten carbides
- Rectangular bends with changeable wear plates.



ROTARY VALVE



ROTARY KNIVES VALVE



DIVERTERS AND GATES



SEPARATORS

COMPONENTS: BIG BAG STATION

We offer customized solutions for filling the big bags. Typhoon has the experience and knowledge to integrate the big bags in the total project of dedusting and automatization.

BAG DISCHARGING UNITS

Our bag discharging systems is dust and waterproof and designed to avoid material streams staying behind in the casing. The unit is provided with an integrated dedusting opening.

AIR INLET FILTERS

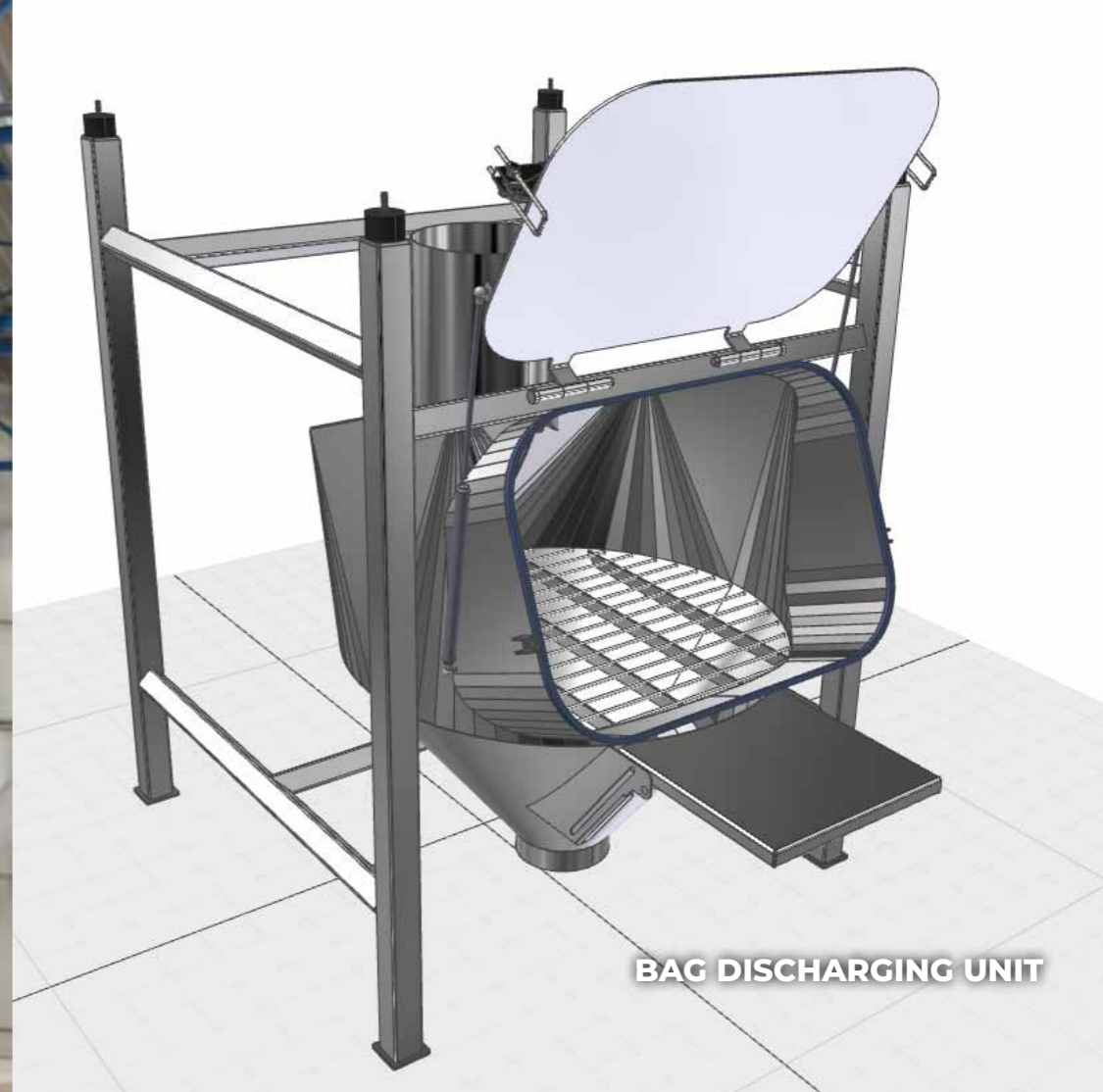
The air inlet filters can be used in interior and exterior applications. They can be delivered in different filter classes.

EXTRACTION HOODS

A customized solution on machinery to capture smoke, steam or vapours. In circumstances where condensation occurs, drip trays can be foreseen.



BIG BAG STATION



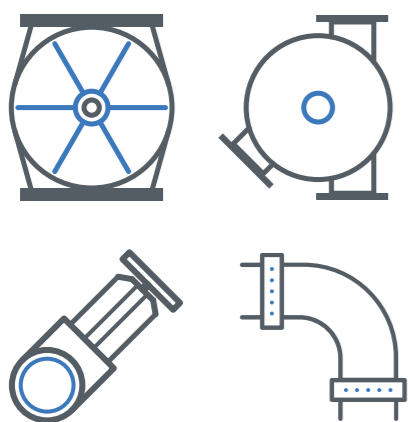
BAG DISCHARGING UNIT



AIR INLET FILTER



EXTRACTION HOODS



CONSULTING AND
PROJECT PLANNING



PROCESS
ENGINEERING



IN-HOUSE
MANUFACTURING



**ALL OUR SERVICES ARE IN
OWN MANAGEMENT**

SPARE PARTS



ATEX ADVICE



INSTALLATION



MAINTENANCE AND
SERVICES



ELECTRICAL SERVICE
AND SOFTWARE



COMMISSIONING



**SERVICE
AND
MAINTENANCE:**



**THE BREATH
OF CLEAN AIR**

**FOR A BETTER
TOMORROW**



GET IN TOUCH

+32 (0)56 69 46 50



info@typhoon.be



www.typhoon.be



Grote Heerweg 67
8791 Beveren-Leie
Belgium



www.MY-ME.be

MY
MAINTENANCE
ENGINEER

Member of Typhoon Group